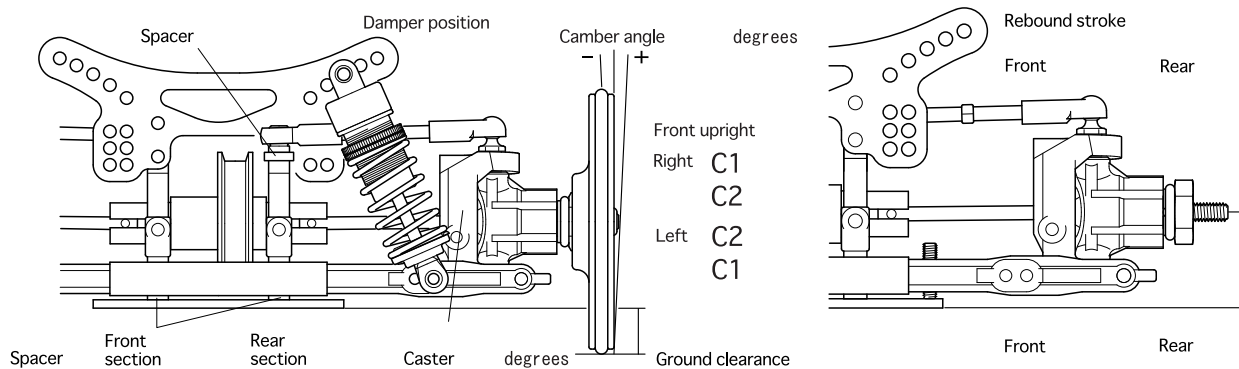


TRF414M SETTING SHEET

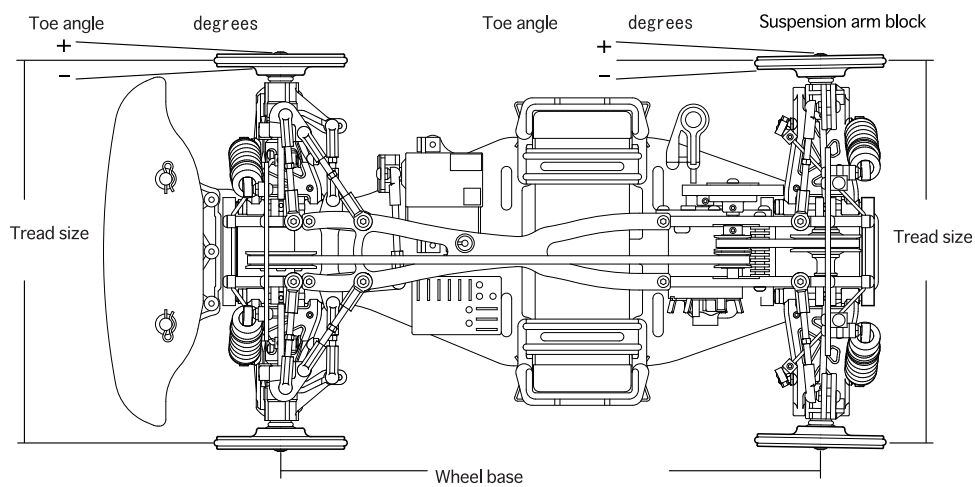
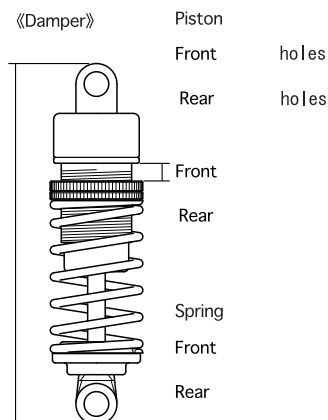
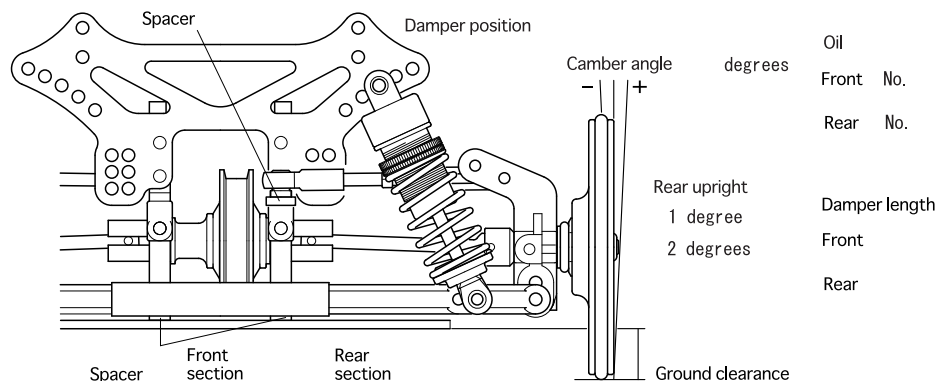
Name _____ Date _____ Air temp _____ Humidity _____

Track _____ Track condition _____ Track temp _____

«Front section» Front differential Front one-way



«Rear section» Center one-way Center direct pulley



Stabilizer	Front	Rear
Tire	_____	
Wheel	_____	
Inner	_____	
Inner hardness	_____	
Liquid for traction	_____	

Motor	Spur gear	Pinion gear
_____	_____	T T
Battery	Body	_____
_____	_____	_____
Wing	Wing spacer	_____
_____	_____	_____

Memo