

TRF416

TAMIYA RACING FACTORY

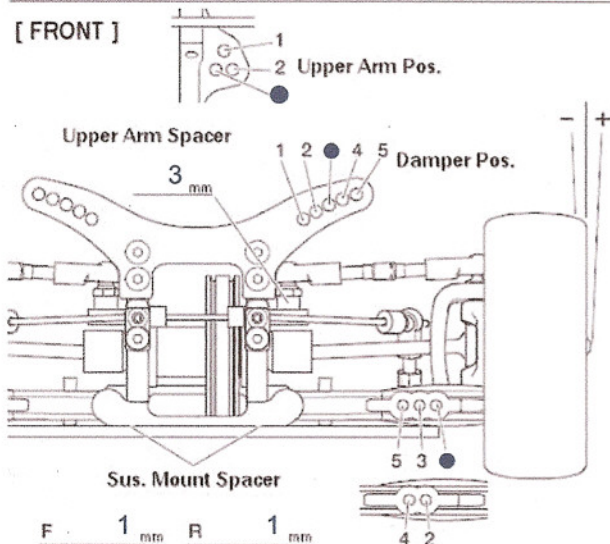
CHASSIS KIT

1/10 SCALE R/C 4WD RACING CAR
TRF416 CHASSIS KIT

SETTING SHEET

Name	Date	Air Temp.	Humidity
Christoph Schweizer	5./6. Dezember 2009		
Track	Track Condition	Track Temp	
Hanro Liestal			

[FRONT]



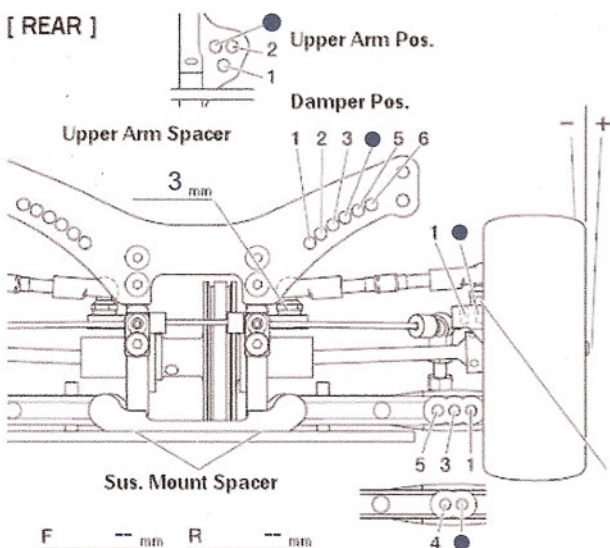
Castor Blocks	<input checked="" type="checkbox"/> 2
Camber	1.5 °
Ride Height	5 mm
Droop	6 mm
Front Axle	<input checked="" type="checkbox"/> One-way <input type="checkbox"/> Diff <input type="checkbox"/> Spool
Roll bar	None <input type="checkbox"/> S <input type="checkbox"/> M <input checked="" type="checkbox"/> X
Wheel Spacer	--- mm



Shock Bushing	Piece(s)
Piston	3 Holes
Oil	450 Weight
Spring	Tamiya blau
Shock Length	61.4 mm
Wheel Hex	mm
Rebound	3mm %

Notes

[REAR]

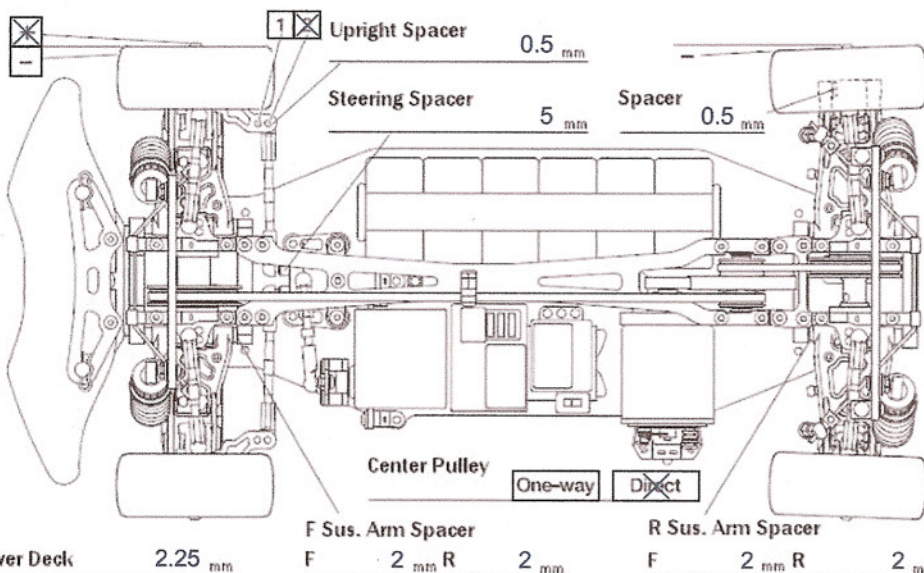


Rear Hub	0 °
Camber	1.5 °
Ride Height	5.5 mm
Droop	5 mm
Roll bar	None <input checked="" type="checkbox"/> X <input type="checkbox"/> M <input type="checkbox"/> H
Wheel Spacer	--- mm
Upper Arm Spacer	3 mm



Shock Bushing	Piece(s)
Piston	3 Holes
Oil	450 Weight
Spring	Tamiya gelb
Shock Length	61.4 mm
Wheel Hex	mm
Rebound	3mm %

Toe Angle	2 °	F Sus. Mount	F 1D R 1D	R Sus. Mount	F 1XA R 1F
-----------	-----	--------------	-----------	--------------	------------



Motor	Carson 10 T
Spur	Pinion
	105 T 36 T
Battery	RFI 5000 mAh 30 C
Body	Honda NSX 2004
Wing	Flacher Tuningspoiler
Tire	Tamiya A
Wheel	0 Offset
Insert	schwarz
Best Lap	ESC 2-1-2-2-1